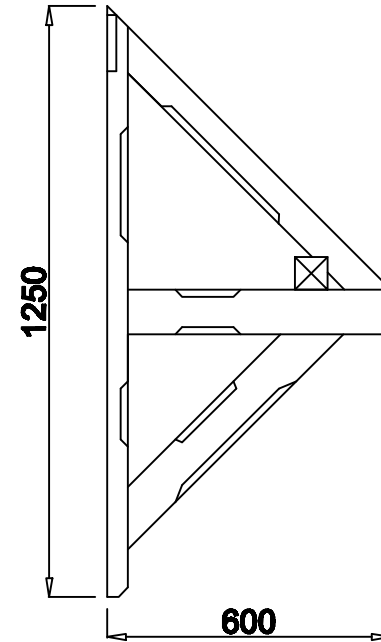
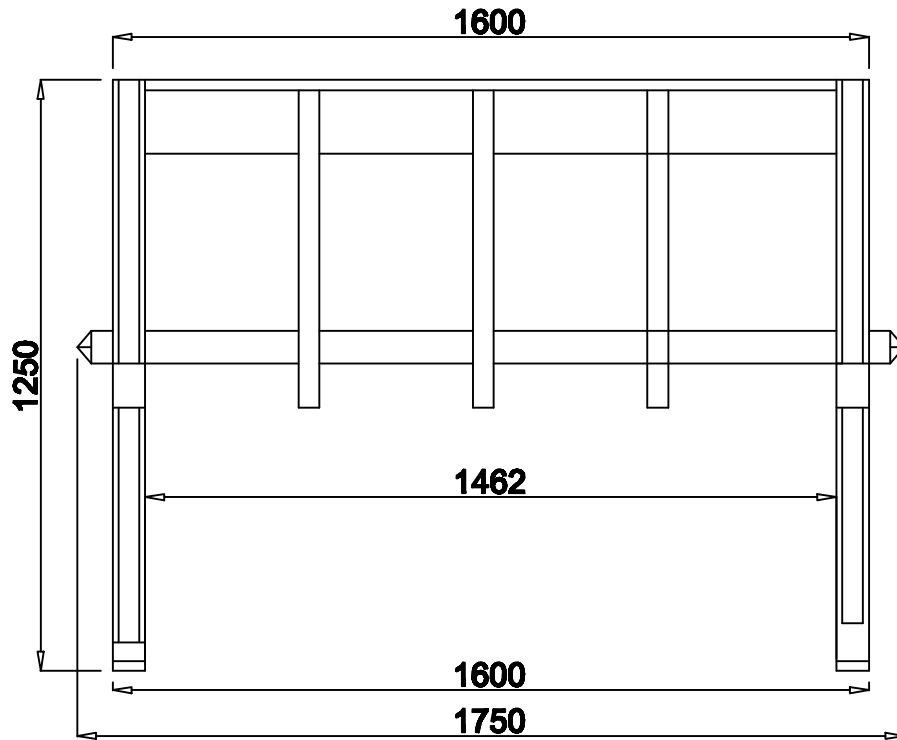


RevNo Revision note Date Signature Checked



Designed by
R.Morris

Signed

Approved by - date

Date
29.12.2008

Scale
1:16

rmjmjoinery.co.uk

LTP16W - Windsor

Revision

Sheet