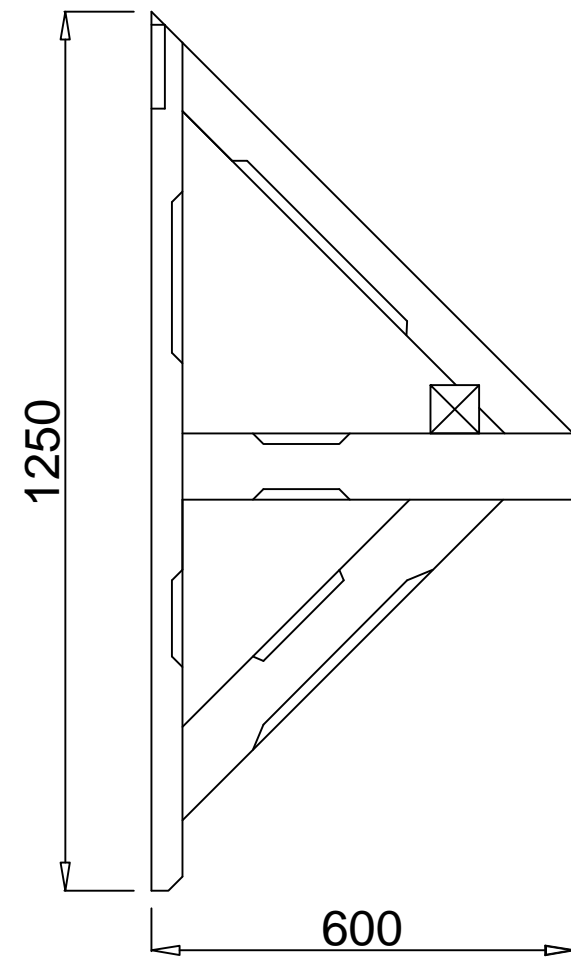
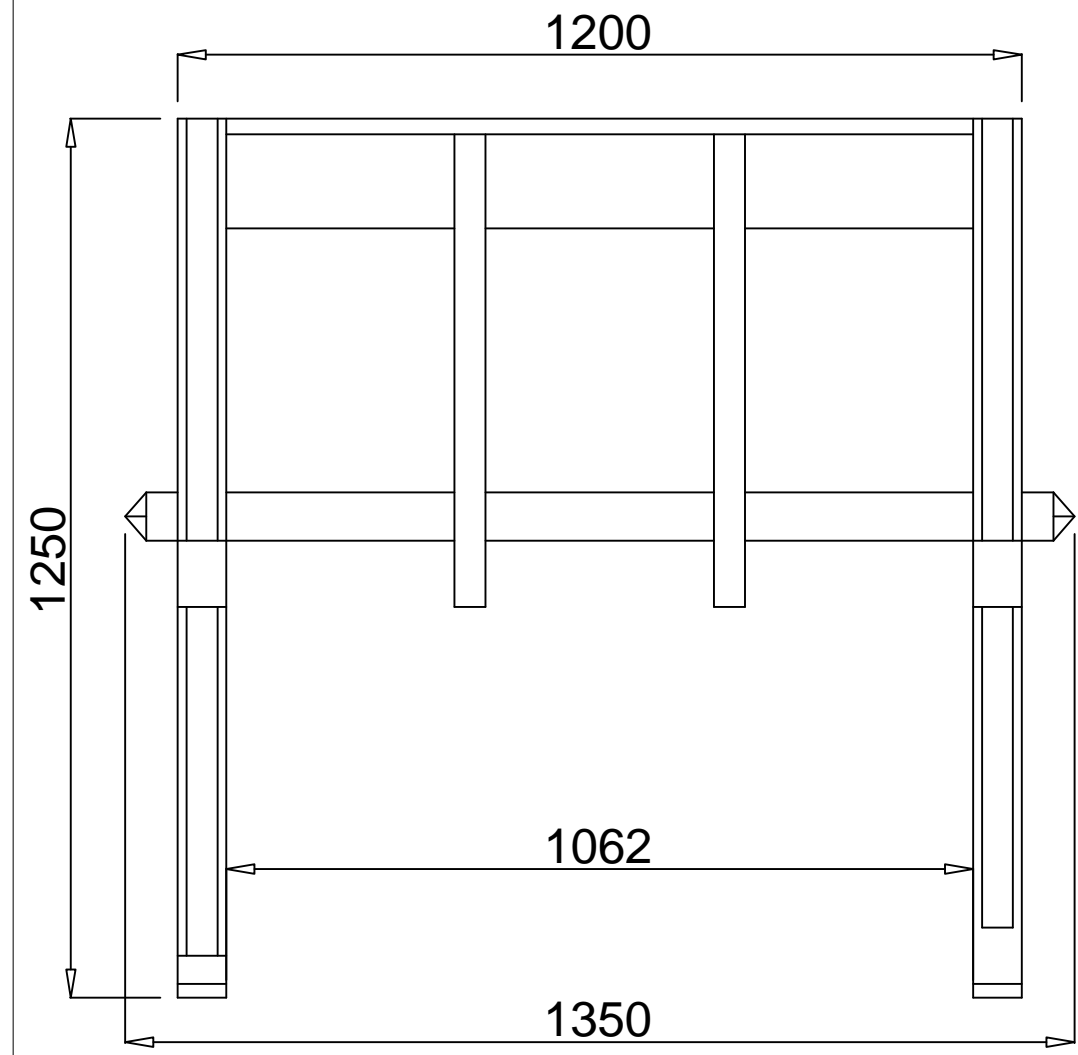


RevNo	Revision note	Date	Signature	Checked
-------	---------------	------	-----------	---------



PRELIMINARY

Designed by R.Morris	Signed	Approved by - date	Date 18.08.2008	Scale 1:10
rmjm-cjs.co.uk		LTP12W - Windsor		
			Revision	Sheet